




# DockMaster: A Revolution in Docking

The DockMaster has been developed from the ground up to provide a seamless docking and recharging solution, without the hassle of ropes and cables.

DockMaster is primarily designed for use with electric vessels, but it can also be used with sail or combustion engine vessels, with or without the charging function.

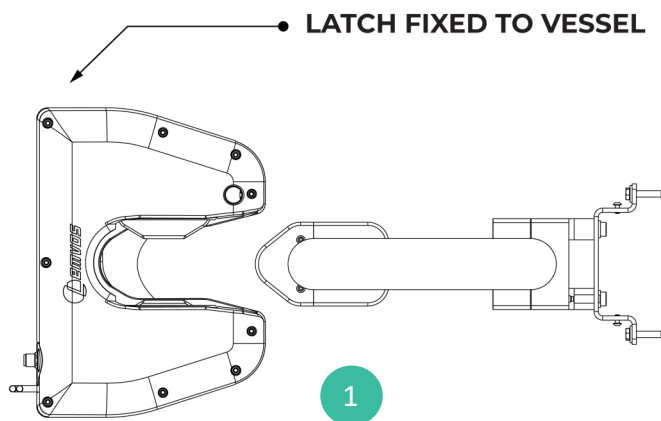
 Anti-Theft

 Ropeless Docking

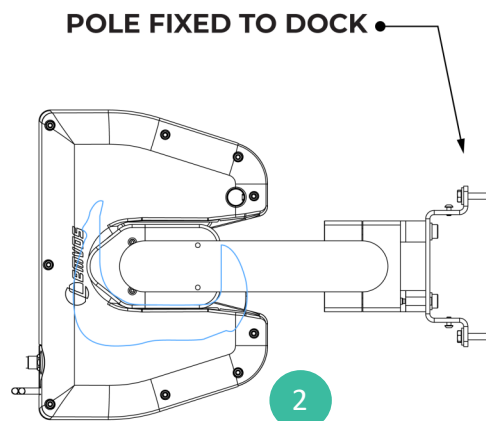
 Cableless Charging

- Autonomous docking compatible
- Integrated high current DC charging
- Compact and lightweight design allowing for easy integration
- Low maintenance design
- Dock-mounted Pole

## How it Works



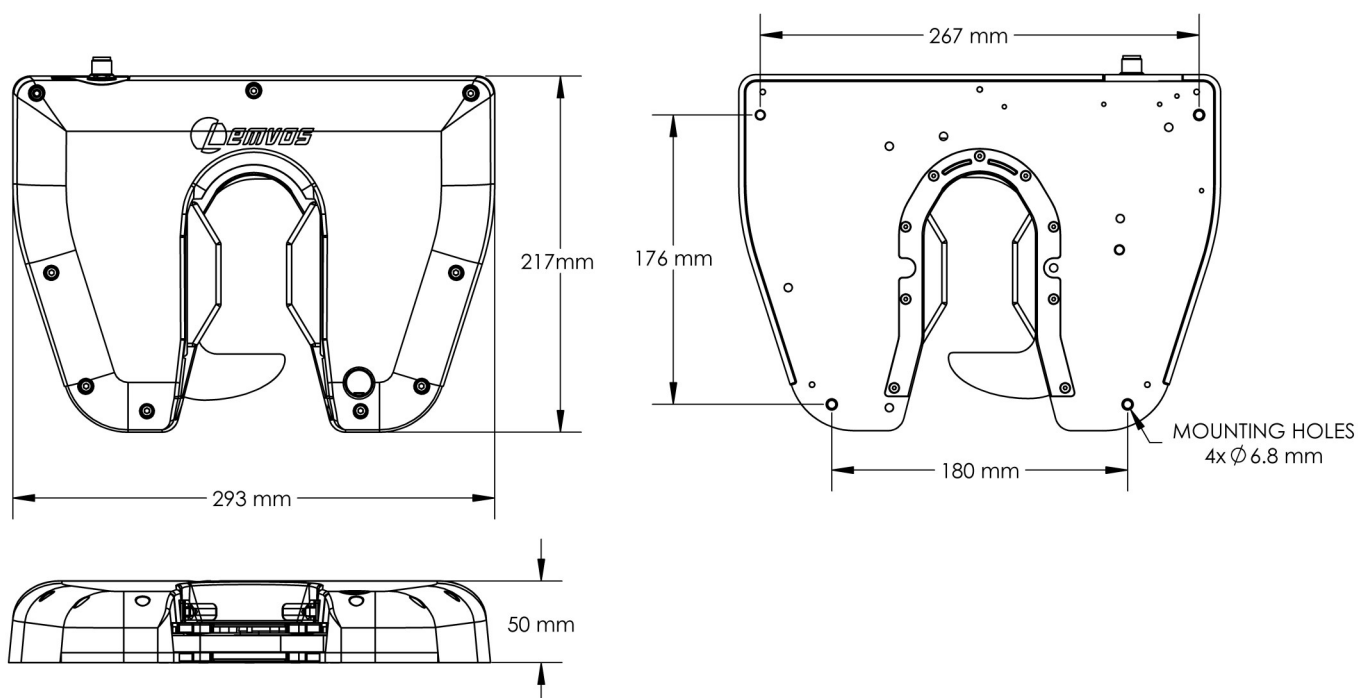
Latch undocked from the pole, vessel is free to move.



Latch fixed to pole, high current charging can take place. Vessel is secured.

# Latch Specifications and Dimensions

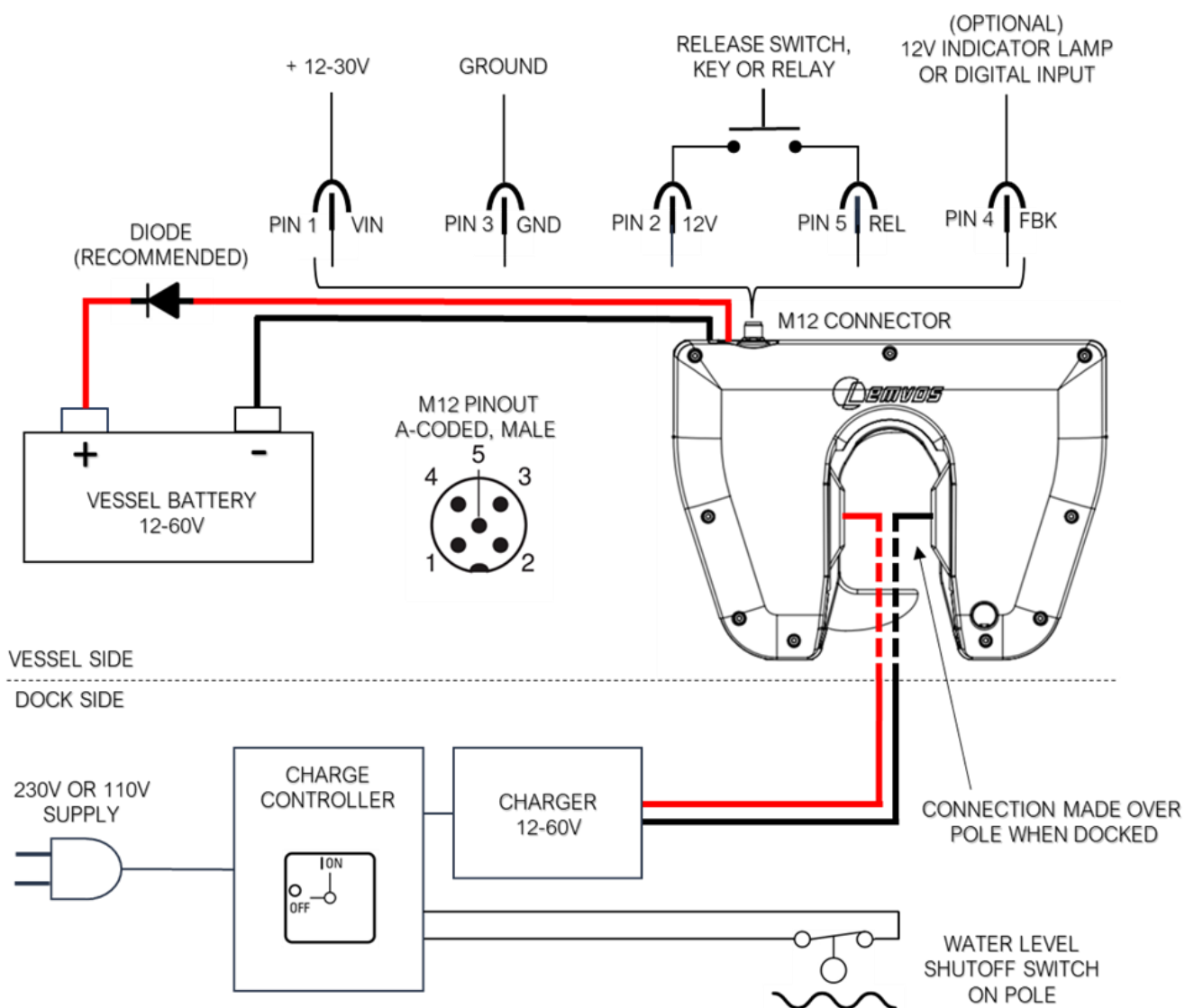
Specification	Value
Max Recommended Vessel Size	6m Long
Maximum Roll (while docked)	+ - 20 deg
Maximum Pitch (while docked)	+ - 10 deg
Charging Power	3kW (@60V)
Charging Voltages	12V, 24V, 48V or custom up to 75V
Charging Current	Up to 50A
Electrical Connector (battery charging power)	Flying leads - High Current, Silicone Insulated
Input Power	230V or 110V
Electrical Connector (Latch Release)	M12, 5 pin connector
Power Supply (Latch Release)	12-30V DC
Latched State Feedback	Digital Signal Output



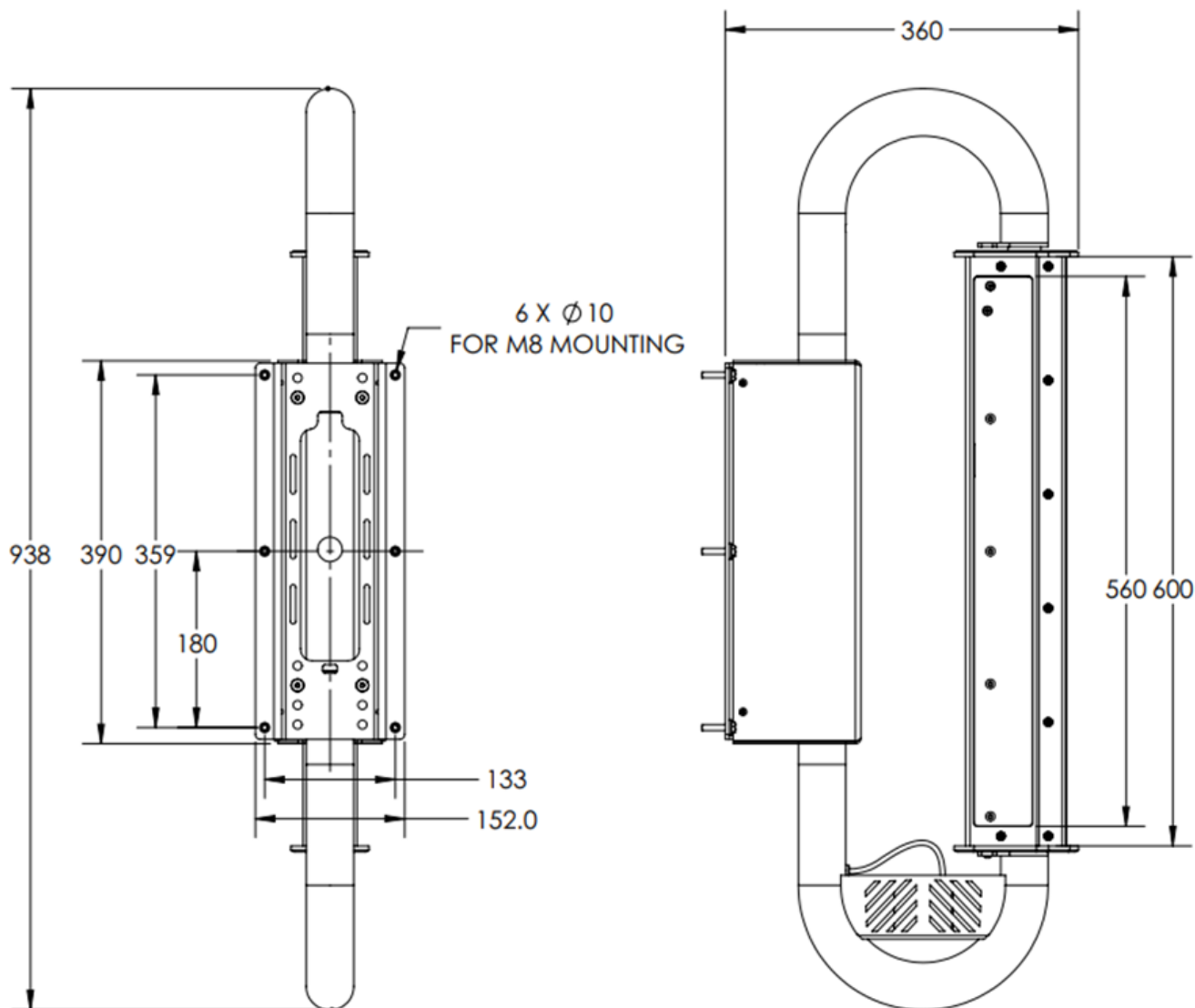
# Connection diagram

M12 Connector Pin	Typical Cable Core Colour	Function	Description
1	Brown	VIN	Power Supply for latch release 12-30V DC from vessel ignition switch
2	White	12V	12V Supply for digital release signal, for switch or relay.
3	Blue	GND	Ground Connection
4	Black	FBK	12V digital feedback, high when latched, 500mA max output
5	Grey or Green/ Yellow	REL	Digital Release Signal 12-30V DC, pulse to open for ~30 seconds

## Typical electrical installation



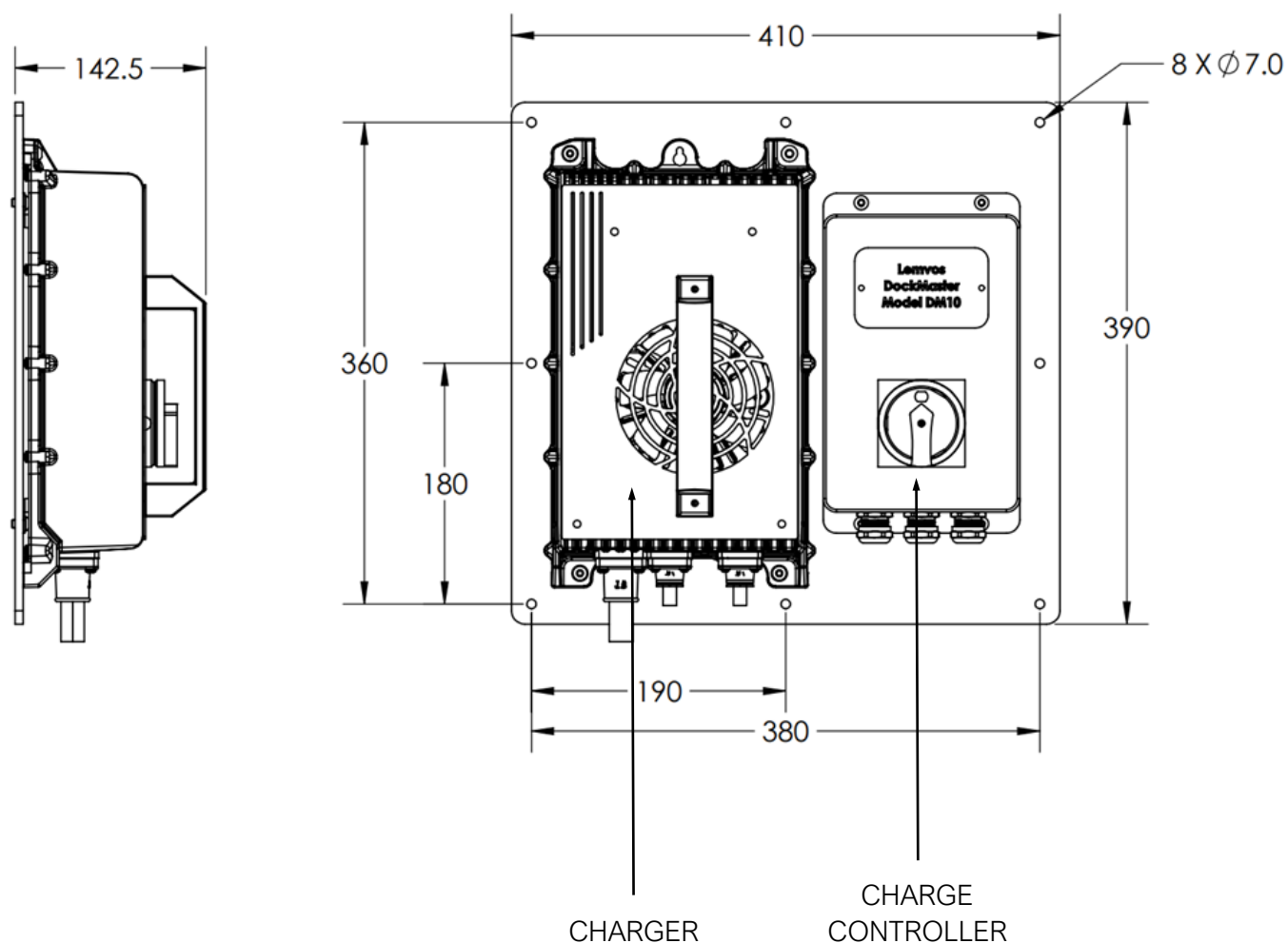
# Pole Dimensions



## Notes

- The pole is deigned to be used on a floating dock, with 560mm vertical movement possible for variations in loading or waves
- If your application involves docking to a non-floating dock, with more than 560mm of water height variation contact us for other options
- The stern of the boat must be confined to prevent excessive rotation

# Power Supply Dimensions



## Notes

- A 230V or 110V power source is required on the shore side for the charging function
- Mounting of the IP67 pole power supply size should be within 2m of the docking pole
- Above is shown the 48V 50A power supply, other power supply variations may vary in size
- If power supply option "-0000" is selected the charger itself (left) will not be provided, just the charge controller will be provided, on a mounting plate, with a controlled power outlet for a charger.

# Ordering Details

Series		Latch Options		Pole Options		Power Supply	
<b>DM10-</b>		<b>#-</b>		<b>#-</b>		<b>####</b>	
Code	Description	Code	Description	Code	Description	Code	Description
DM10	DockMaster Model 10	C	With Electrical Contacts	F	Rigid Pole	1210	12V 10A Power supply
		W	Without Electrical Contacts	N	Not Included (Latch Only)	1225	12V 25A Power Supply
		N	Not Included (Pole Only)			2410	24V 10A Power supply
						2450	24V 50A Power Supply
						4825	48V 30A Power Supply
						4850	48V 50A Power Supply
						####	Custom 5-65V, 5-50A
						0000	None

## Notes

- For a DockMaster without the charging function select option “W” for “Latch Options” and option “0000” under “Power Supply”. For example: DM10-W-S-0000
- For custom power supply specifications replace #### with the desired voltage and current specifications
- Upon placing the order the battery type should be specified so the charging curve can be adjusted. If not specified the power supply will be setup for charging LiFePO4 batteries.
- As standard the power supply will require a 230VAC input from shore, for 110VAC shore inputs please add “-US” to the end of the part number
- - Standard cover colour is black— please contact use for more colour options



Latch (option C)



Pole (option F)



Power Supply (option 4850)

## Legal Notice:

Lemvos DockMaster is a product utilizing patented technology developed and owned by Lemvos GmbH, protected under patent number DE 10 2023 125 468.5. Any infringements on this patent will be subject to legal action.